

ALUMINIUM RESIDENTIAL DOOR



STEP-BY-STEP ILLUSTRATED ASSEMBLY INSTRUCTIONS

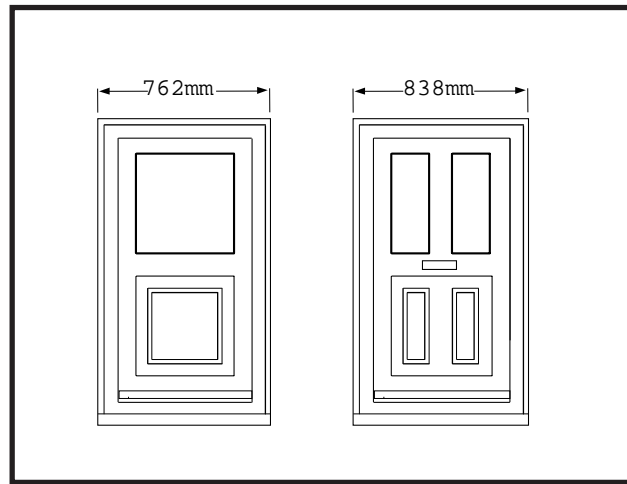
The manufacturer's policy is one of continuous development and improvement and accordingly we reserve the right to change specifications without prior notice.

The utmost care has been taken in the manufacture of the Residential Door to ensure that it gives complete satisfaction. To the best of our knowledge this product was in perfect condition when it left the factory but customers should note that claims for damage to glass, finish or shortages must be submitted before installation.

Failure to follow the recommendations set out in these instructions or to install in a manner not approved by the manufacturer may result in all or part of the product guarantee being null and void.

The manufacturer reserves the right to disallow claims once the assembly has been installed. This does not affect your statutory rights.

This product is covered by a 5 year manufacturer's guarantee. Should any part of it become defective due to faulty materials or manufacture, it will be replaced free of charge (supply only). This guarantee does not cover glass breakage or any fault arising from incorrect installation. The product is not guaranteed against faults or defects that arise out of conditions of use or misuse. Any replacement parts supplied are for DIY and no claim can be accepted for any costs incurred for the installation of replacement parts. This guarantee is given as an extra benefit and does not affect your statutory rights. Please retain your receipt as dated proof of purchase.



BEFORE COMMENCING ANY WORK:

- carefully check all parts to ensure they are complete and free from marks or scratches on all finished surfaces.
- read through these instructions to familiarise yourself with the installation procedure.
- make sure that you have all the necessary tools and any additional items required e.g. sealant and additional fixings not included in the packs.

All nominal dimensions in mm.

IF IN DOUBT, SEEK EXPERT ADVICE.

NOTE: THIS DOOR IS DESIGNED TO OPEN INWARDS ONLY AND TO BE FITTED TO A SUITABLE TIMBER SUB-FRAME.

Installation

The following text is to be read in conjunction with the pictorial diagrams and the instructions supplied with the door and frame.

Note: Two people may be required to lift the assembled door and frame.

- Tools required.
- Check contents of packs and familiarise yourself with the items supplied.
- Offer the door and aluminium frame (A) into the timber sub-frame to check for tightness of fit and that the door opens the correct way.
- Remove the door from the aluminium frame. Attach the drainage sill (C) to the bottom of the frame and place the frame into the timber sub-frame.
- Mark round the lock-keep position with a pencil. Remove the aluminium frame and chisel out the marked slot for the lock-keep.
- Remove the drainage sill (C) from the aluminium frame and apply a suitable grade of silicone sealant to the vertical surfaces on the drainage sill. Refit to the bottom of the aluminium frame. Ensure that the holes in the frame and the drainage sill line up.

7 Apply a bead of a suitable grade of silicone sealant around the outer edge of the aluminium frame and the underside of the drainage sill. Position the frame into the timber sub-frame, ensuring that the drainage sill overhangs it.

8 Drill 2.5mm holes through the existing holes in the aluminium frame into the timber sub-frame and fix using No. 8 x 1 1/2" screws. Apply suitable sealant under screw heads before tightening. **DO NOT DRILL THROUGH THE DRAINAGE HOLES** in the bottom of the aluminium frame. Fit the lock-keep (E) and fix with No. 8 x 1 1/2" brass coloured woodscrews.

9 Apply a bead of a suitable grade of sealant to all internal and external joints between the aluminium frame and the timber sub-frame.

10 Open the hinges and position the door to line up with the slots in the aluminium frame and holes in the captive clamps. Support the door on wooden wedges. Fix the door to the clamps using M6 x 12mm machine screws and adjust as necessary.

Check that the lock operates smoothly.

Drill 3.2mm hole through the centre hinge hole into the timber sub-frame and fix using No.12 x 1 1/2" countersunk wood screws. Fit the four black pry-out plugs into the holes on the door vertical.

11 Insert the handle spindle through the lock and locate handles. Mark through the handle fixing holes with a pencil and remove. Drill 3.2mm holes and fix the handles with No. 8 x 5/8" raised countersunk screws.

12 Check that the length of the drip bar (B) is the same as the width of the door when closed; it may be necessary to cut to the correct length. Position the drip bar on the door (as shown) and drill 2.8mm holes through it into the door. Fix using No. 6 x 3/8" pan head screws.

Cleaning and Maintenance

Clean your door and frame with water and a mild detergent. After cleaning, surfaces should be rinsed down with clean water and dried.

CONTENTS

| REF | DESCRIPTION | QTY |
|-----|---|-----|
| A | DOOR AND ALUMINIUM FRAME | 1 |
| B | DRIP BAR | 1 |
| C | DRAINAGE SILL | 1 |
| D | FITTINGS PACK containing: 2 x handles 1 x Screw Pack containing: 6 x No.6 x 3/8" pan head screws 8 x No.8 x 1 1/2" raised countersunk screws 22 x No.8 x 1 1/2" screws 3 x No.12 x 1 1/2" countersunk wood screws 6 x M6 x 12mm machine screws 4 x No.8 x 1 1/2" brass coloured screws 4 x 'Pry-out' plugs (black) 1 x handle spindle | 1 |
| E | LOCK-KEEP | 1 |

TOOLS REQUIRED

Ø 2.5mm
Ø 2.8mm
Ø 3.2mm